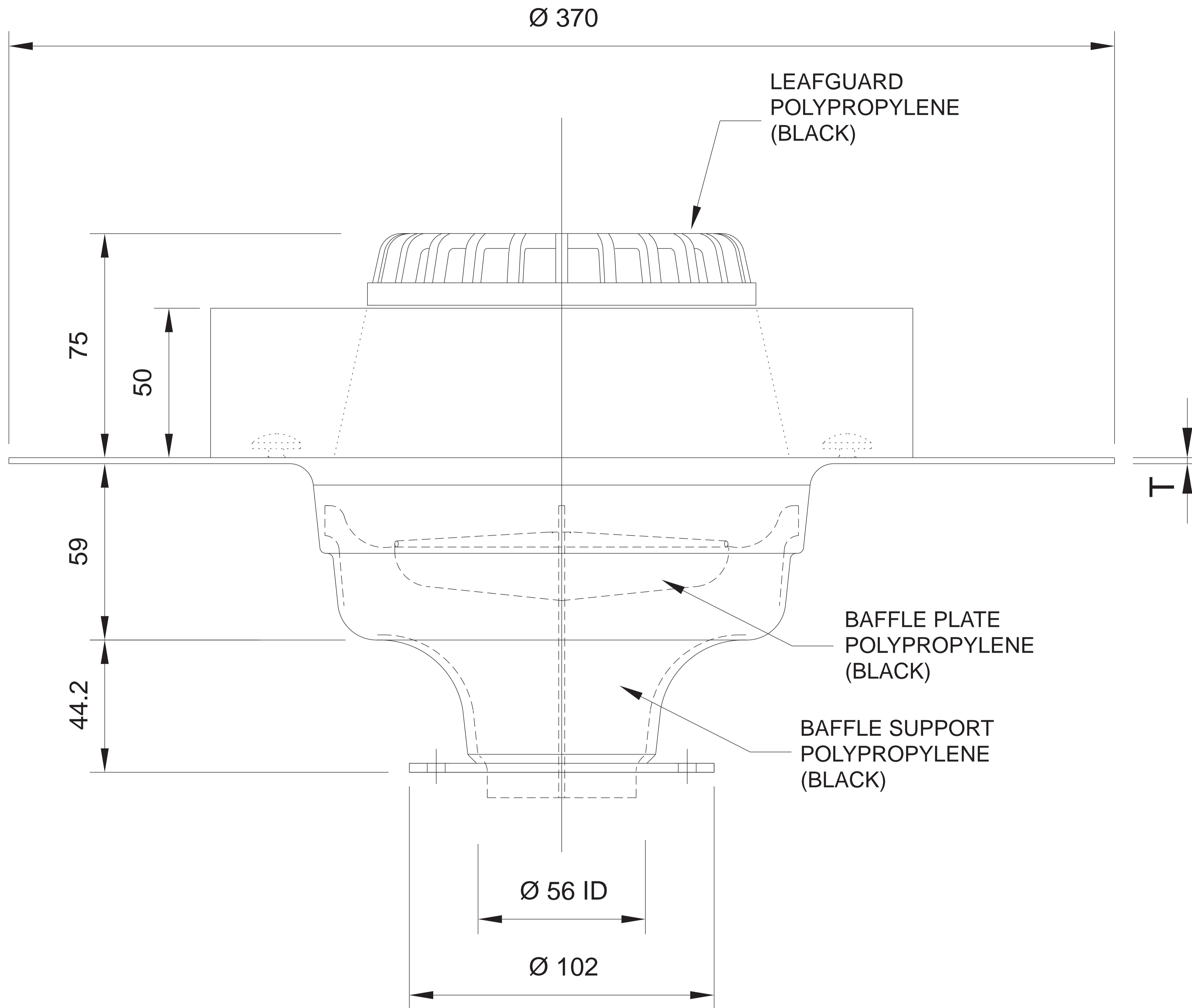


TYPE:-PRIMAFLOW™ LARGE FLANGE Ø56mm SECONDARY OUTLET

NOTES

- 1) DO NOT SCALE FROM THIS DRAWING USE FIGURED DIMENSIONS ONLY.
- 2) DIMENSIONS SUBJECT TO MANUFACTURING TOLERANCES.
- 3) THIS DRAWING IS COMPUTER GENERATED COPIES ARE AVAILABLE ON 3.5", CD ROM AND E-MAIL IN AUTOCAD AND .DXF FORMAT.



OUTLET AVAILABLE IN FOLLOWING MATERIALS :-

T _{mm}	Material
1.6	Mild Steel
2.0	Aluminium
2.0	Copper
2.0	Aluminium PVC Coated

Rev. No.	Date	Description	Drn. By	Chkd. By	App. By

This drawing is the property of FULLFLOW LIMITED and must not be used, loaned, reproduced or disclosed in whole or in part to third parties without the company's written permission.

 Fullflow RAINWATER MANAGEMENT Fullflow House, Holbrook Avenue, Holbrook Sheffield, S20 3FF Tel:- +44 (0) 1142 473655 Fax:- +44 (0) 1142 477805 Email:- design@fullflow.com	Scales:	
	NTS	
	Drn. By:	SE
	Chkd. By:	DB
	App. By:	MB
	Date:	October/2000
Title:	Drawing No:	Rev:
	SD004	0
	Cad Ref:	
	SD004	

DIMENSIONAL DETAIL OF LARGE FLANGE 56mm SECONDARY OUTLET