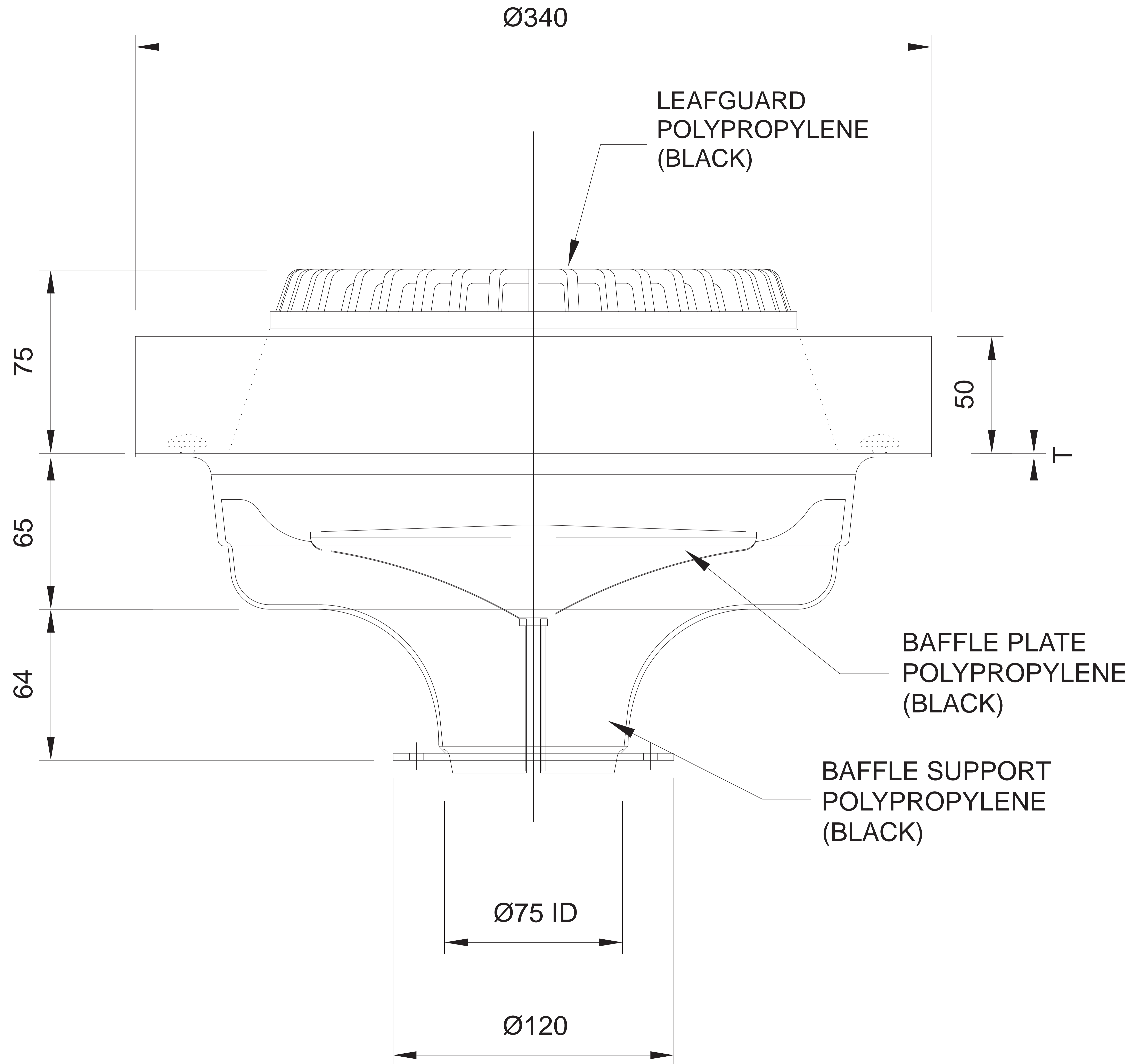


TYPE:-PRIMAFLOW™ SMALL FLANGE Ø75mm SECONDARY OUTLET

NOTES

- 1) DO NOT SCALE FROM THIS DRAWING USE FIGURED DIMENSIONS ONLY.
- 2) DIMENSIONS SUBJECT TO MANUFACTURING TOLERANCES.
- 3) THIS DRAWING IS COMPUTER GENERATED COPIES ARE AVAILABLE ON 3.5", CD ROM AND E- MAIL IN AUTOCAD AND .DXF FORMAT.



OUTLET AVAILABLE IN FOLLOWING MATERIALS :-

T _{mm}	Material
1.6	Mild Steel
1.6	Stainless
2.0	Aluminium
2.0	Copper

Rev. No.	Date	Description	Drn. By	Chkd. By	App. By
This drawing is the property of FULLFLOW LIMITED and must not be used, loaned, reproduced or disclosed in whole or in part to third parties without the company's written permission.					
 RAINWATER MANAGEMENT Fullflow House, Holbrook Avenue, Holbrook Sheffield, S20 3FF Tel:- +44 (0) 1142 473655 Fax:- +44 (0) 1142 477805 Email:- design@fullflow.com			Scales: NTS		
			Drn By:	SE	
			Chkd By:	DB	
			App. By:	MB	
Title: DIMENSIONAL DETAIL OF SMALL FLANGE 75mm SECONDARY OUTLET			Date: October/2000	Drawing No: SD006	Rev: 0
			Cad Ref: SD006		