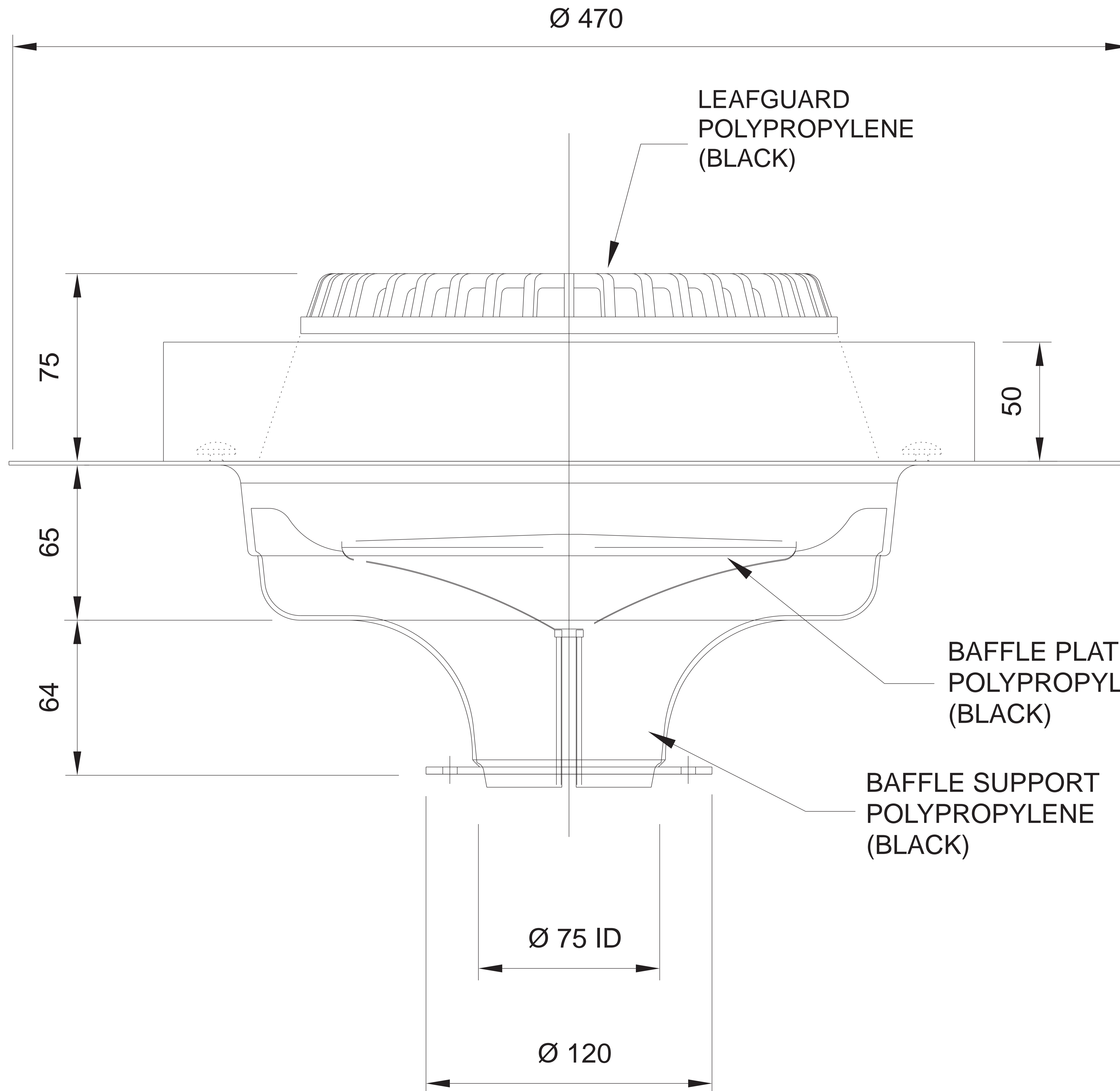


TYPE:-PRIMAFLOW™ LARGE FLANGE Ø 75mm SECONDARY OUTLET

NOTES

- 1) DO NOT SCALE FROM THIS DRAWING USE FIGURED DIMENSIONS ONLY.
- 2) DIMENSIONS SUBJECT TO MANUFACTURING TOLERANCES.
- 3) THIS DRAWING IS COMPUTER GENERATED COPIES ARE AVAILABLE ON 3.5", CD ROM AND E- MAIL IN AUTOCAD AND .DXF FORMAT.
- 4) SEE INTERFACE DRAWING SD020



OUTLET AVAILABLE IN FOLLOWING MATERIALS :-

T _{mm}	Material
1.6	Mild Steel
2.0	Aluminium
2.0	Copper
2.0	Aluminium PVC Coated

Rev. No.	Date	Description	Drn. By	Chkd. By	App. By

This drawing is the property of FULLFLOW LIMITED and must not be used, loaned, reproduced or disclosed in whole or in part to third parties without the company's written permission.

Fullflow
RAINWATER MANAGEMENT

Fullflow House, Holbrook Avenue, Holbrook
Sheffield, S20 3FF
Tel:- +44 (0) 1142 473655 Fax:- +44 (0) 1142 477805
Email:- design@fullflow.com

Scales:
NTS

Drn By: SE
Chkd By: DB
App. By: MB

Date:
October/2000

Title:	Drawing No:	Rev:
DIMENSIONAL DETAIL OF LARGE FLANGE 75mm SECONDARY OUTLET	SD008	0
	Cad Ref: SD008	