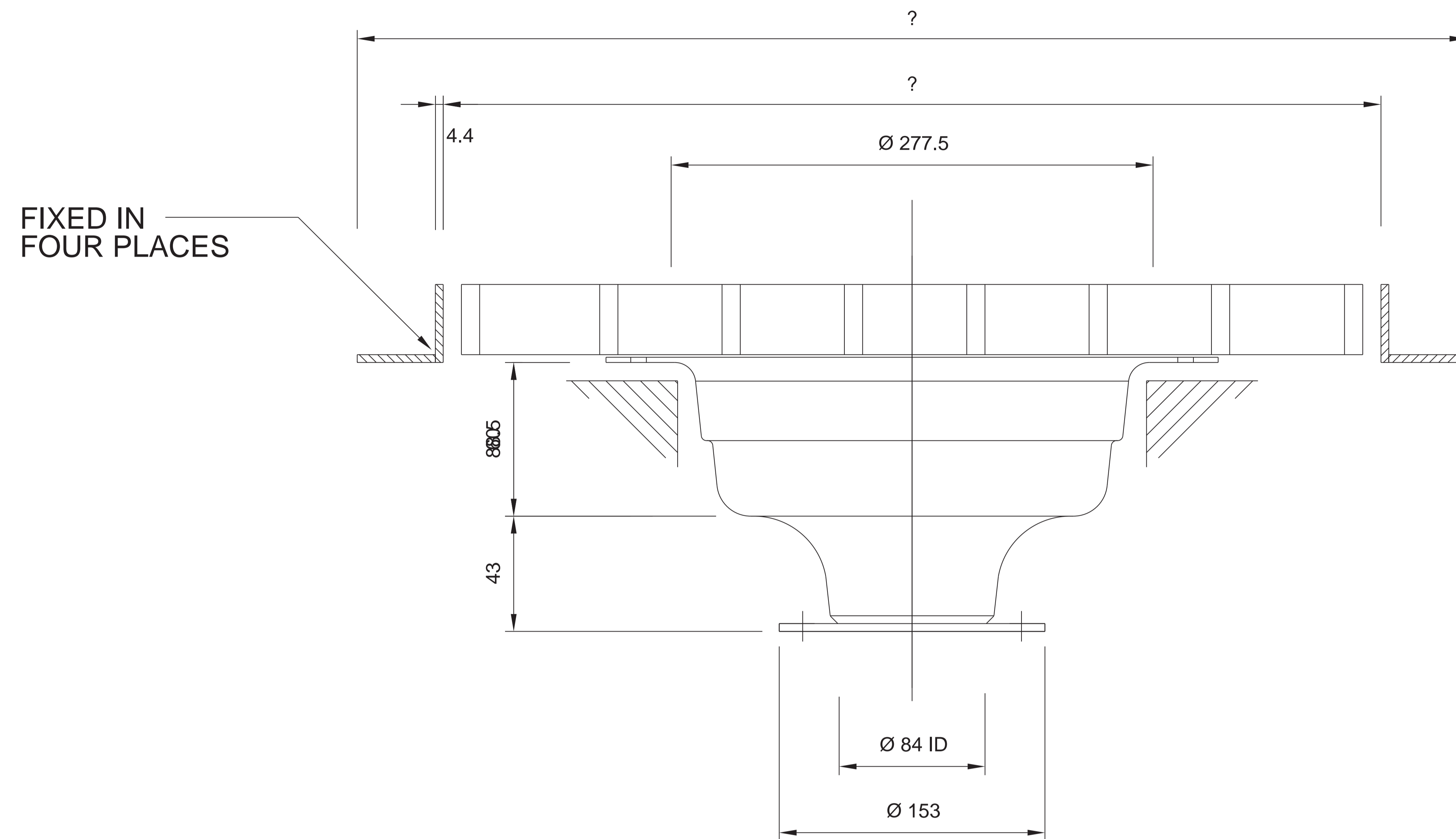


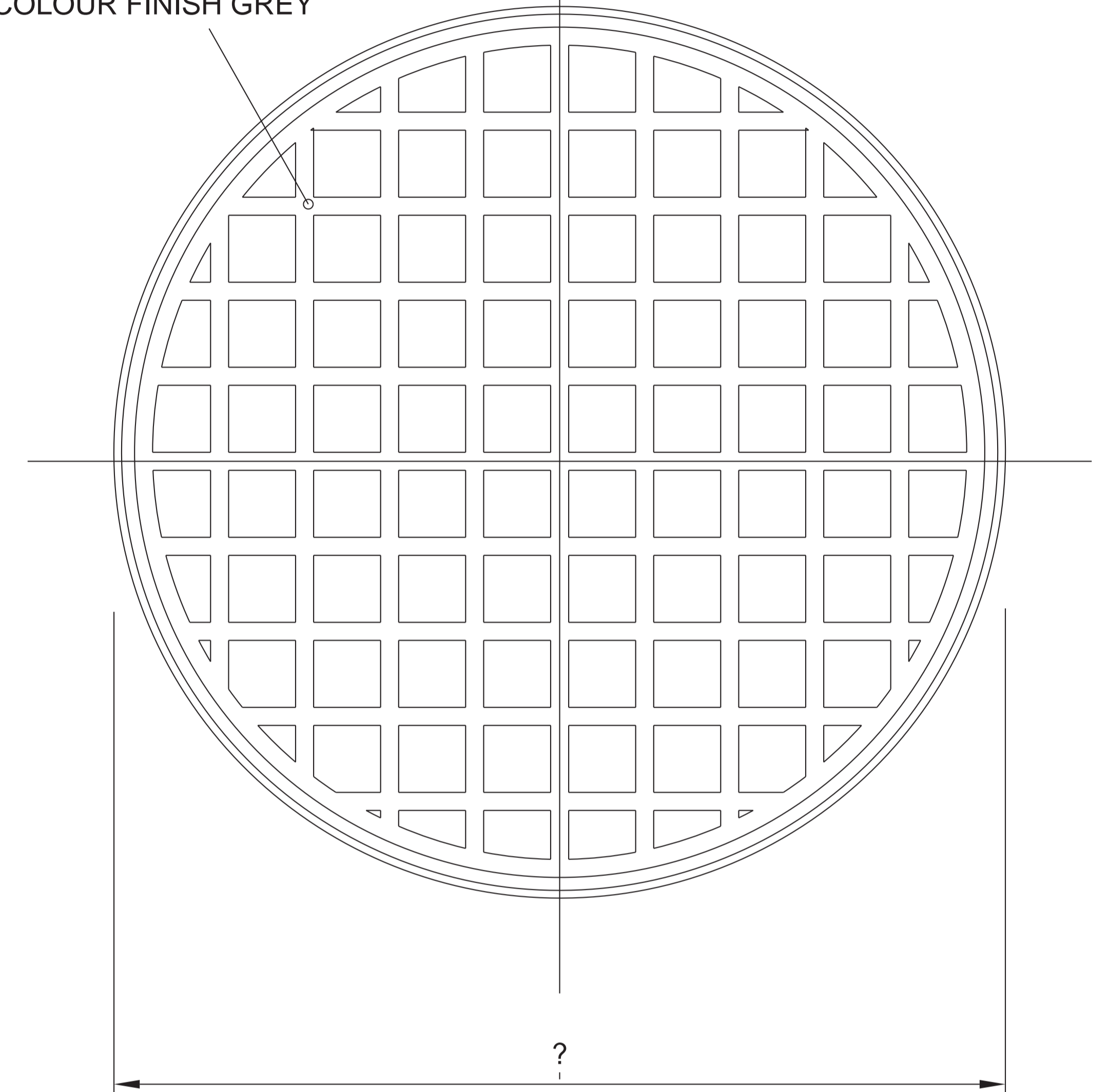
# TYPE:- CAR PARK Ø 56mm OUTLET

## NOTES

- 1) DO NOT SCALE FROM THIS DRAWING  
USE FIGURED DIMENSIONS ONLY.
- 2) DIMENSIONS SUBJECT TO  
MANUFACTURING TOLERANCES.
- 3) THIS DRAWING IS COMPUTER  
GENERATED COPIES ARE AVAILABLE  
ON 3.5", CD ROM AND E- MAIL IN  
AUTOCAD AND .DXF FORMAT.
- 4) FRAME FORMED USING 28x3 MILD  
STEEL STRIP WELDED TO THE  
OUTER RIM OF THE OUTLET



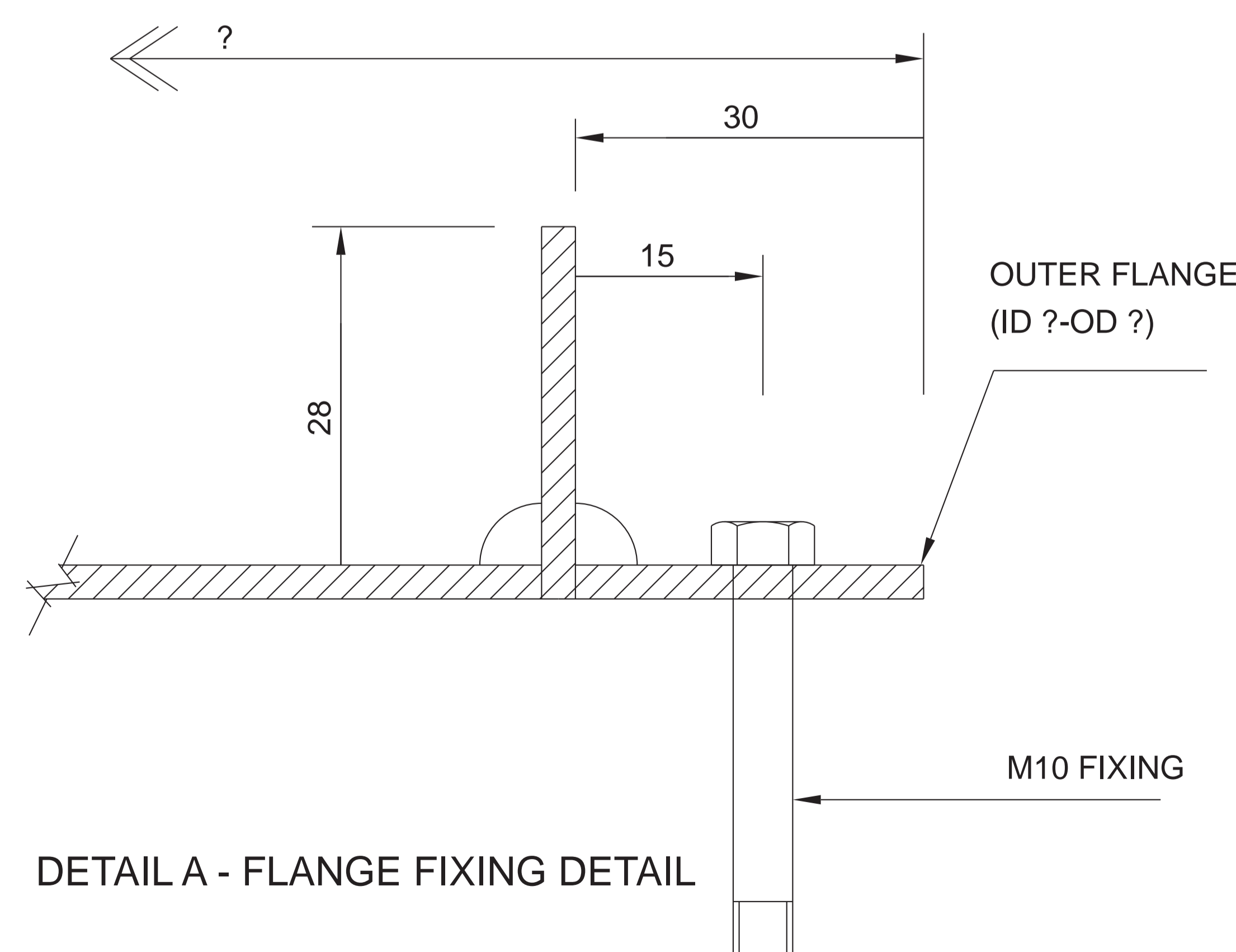
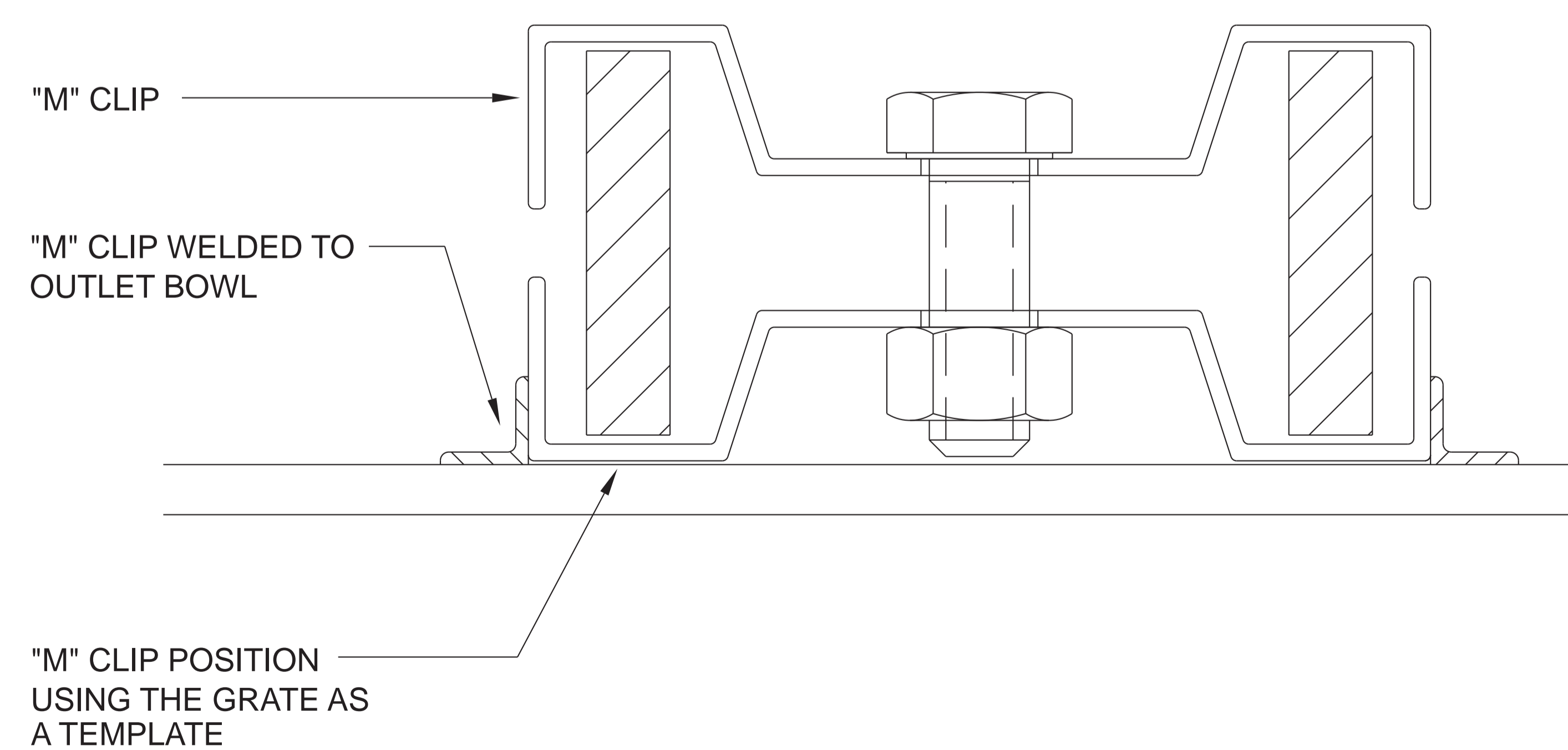
(See detail A)  
? MOULDED GRP GRATING  
COLOUR FINISH GREY



OUTLET AVAILABLE IN FOLLOWING MATERIALS :-

T <sub>mm</sub>	Material
1.6	Mild steel

### GRATING "M" CLIP FIXING DETAIL



Rev. No.	Date	Description	Drn. By	Chkd. By	App. By
This drawing is the property of FULLFLOW LIMITED and must not be used, loaned, reproduced or disclosed in whole or in part to third parties without the company's written permission.					
 Fullflow House, Holbrook Avenue, Holbrook Sheffield, S20 3FF Tel:- +44 (0) 1142 473655 Fax:- +44 (0) 1142 477805 Email:- design@fullflow.com			Scales:		
			NTS		
Title: DIMENSIONAL DETAIL OF CAR PARK 56mm OUTLET			Drn By:	DAP	
			Chkd By:		
			Date:	AUGUST/2000	
			Drawing No:	SD017	Rev:
			Cad Ref:	SD017	