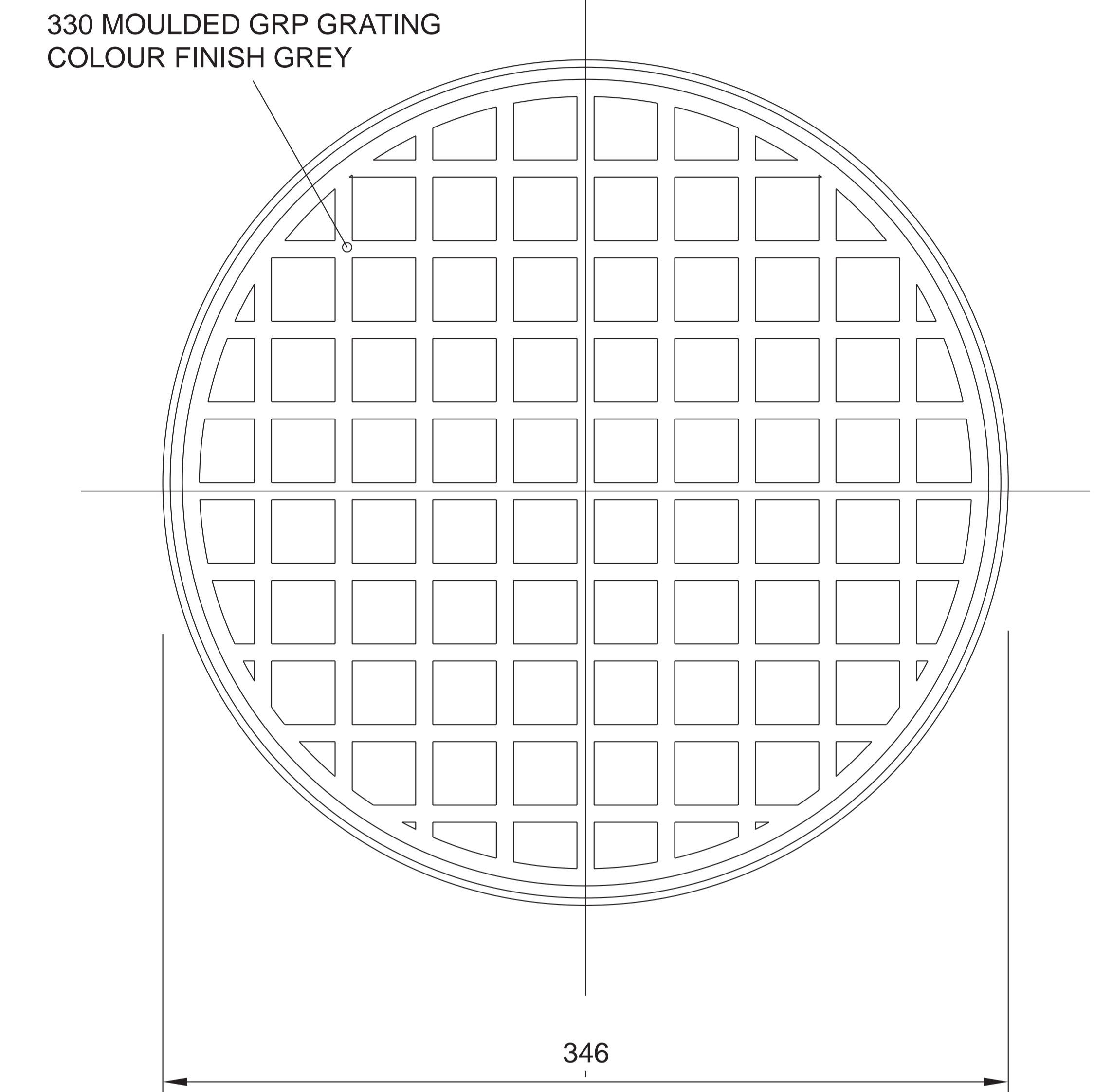
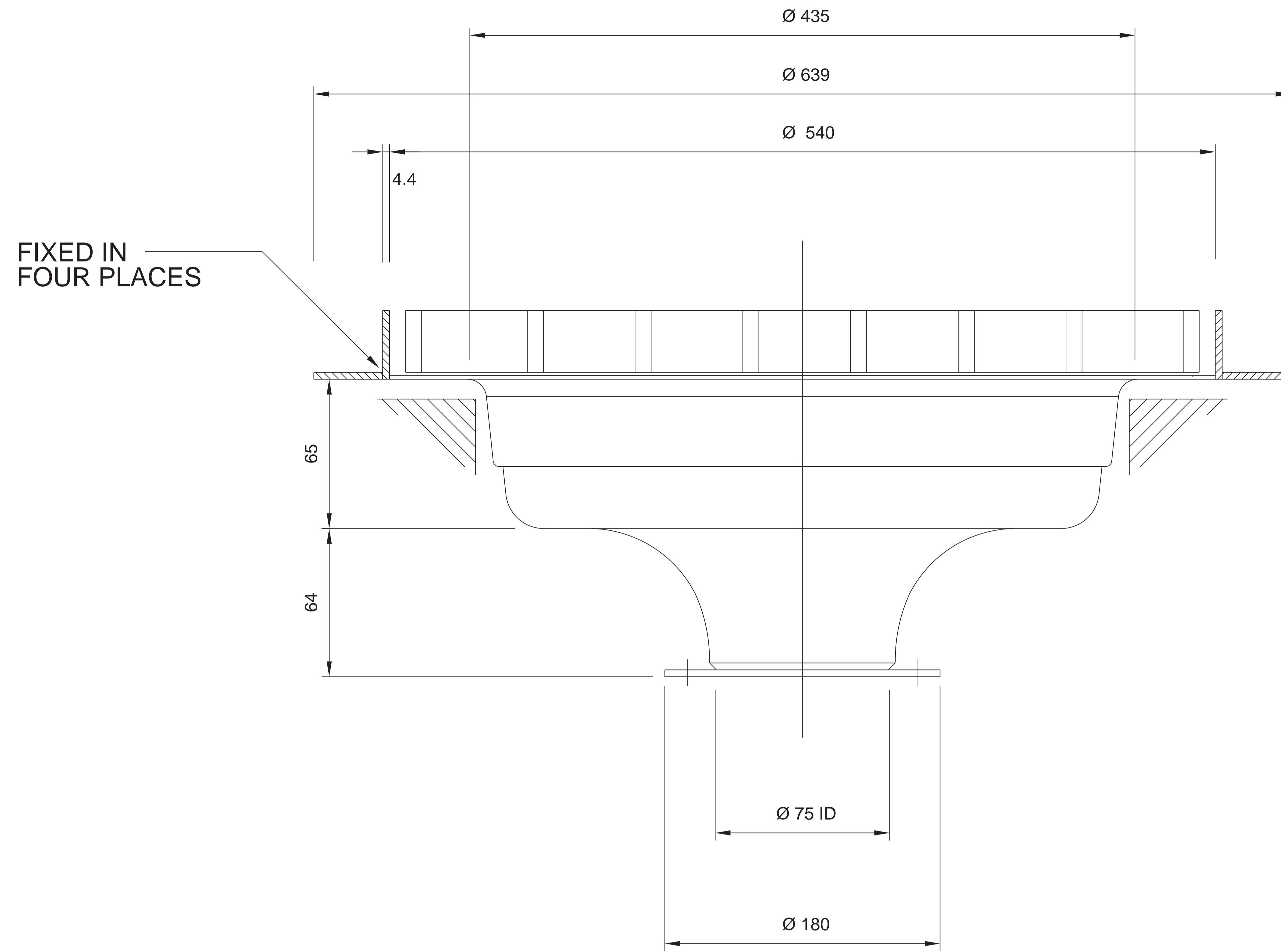


# TYPE:- CAR PARK Ø 75mm OUTLET

## NOTES

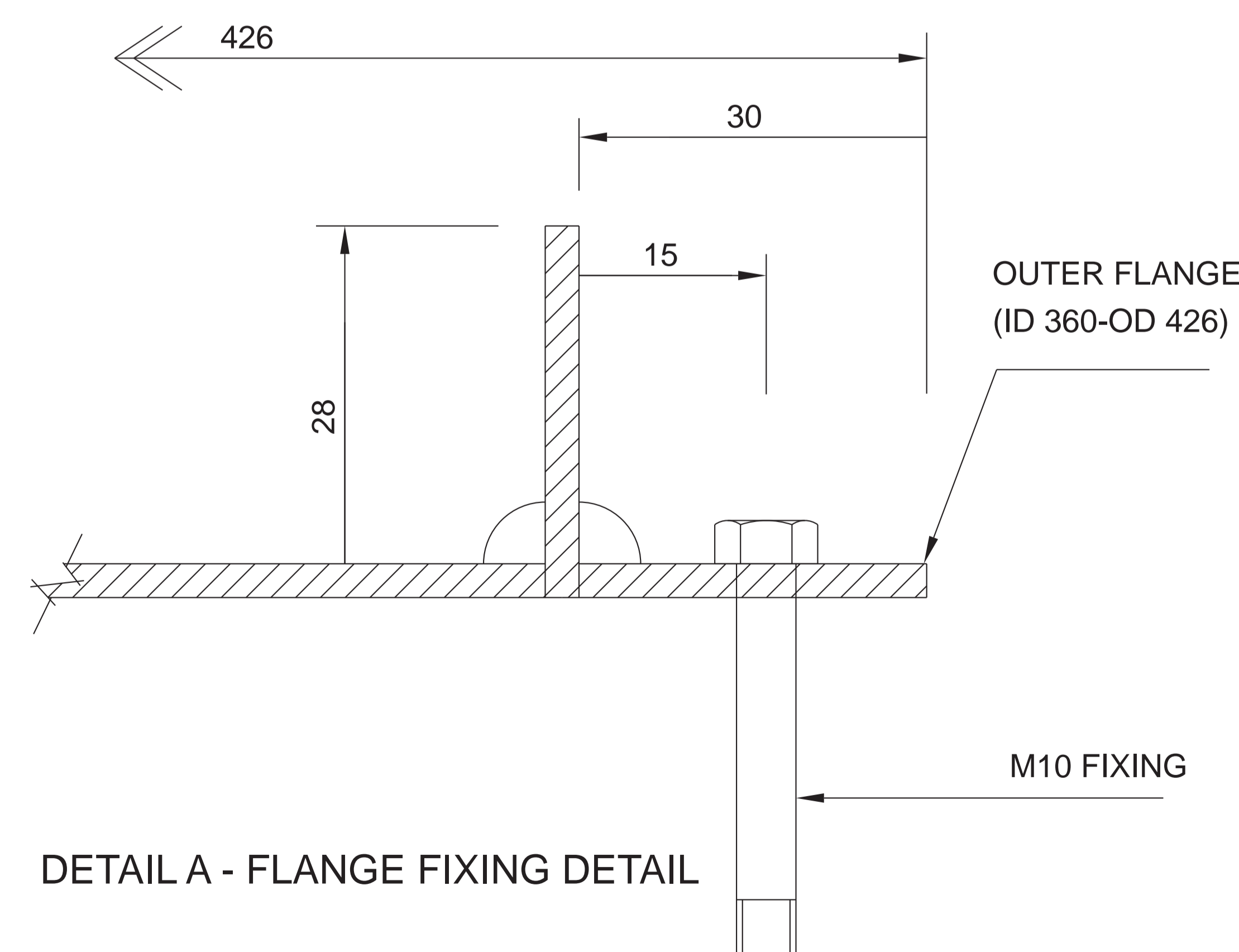
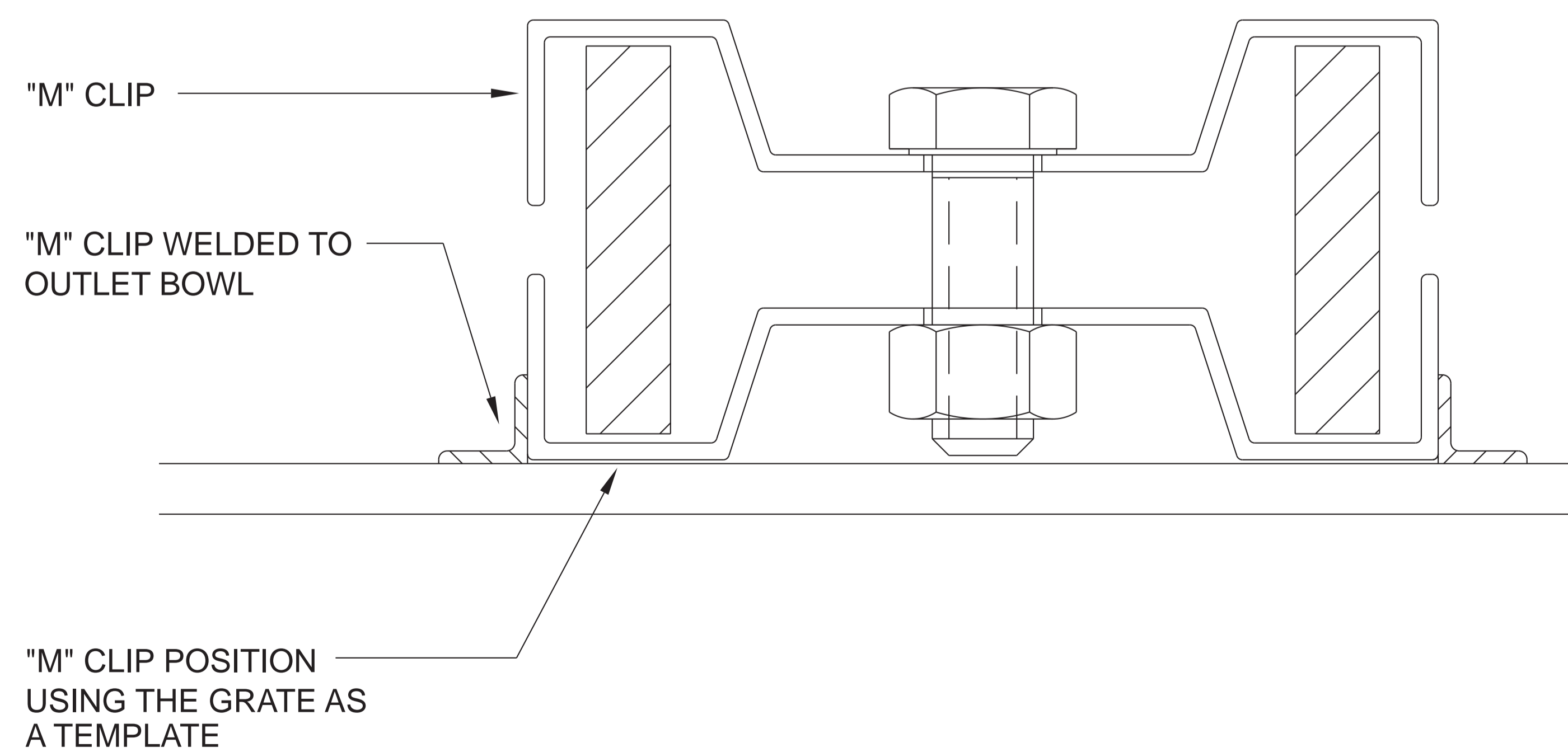
- 1) DO NOT SCALE FROM THIS DRAWING USE FIGURED DIMENSIONS ONLY.
- 2) DIMENSIONS SUBJECT TO MANUFACTURING TOLERANCES.
- 3) THIS DRAWING IS COMPUTER GENERATED COPIES ARE AVAILABLE ON 3.5", CD ROM AND E- MAIL IN AUTOCAD AND .DXF FORMAT.



OUTLET AVAILABLE IN FOLLOWING MATERIALS :-

T <sub>mm</sub>	Material
1.6	Mild steel

## GRATING "M" CLIP FIXING DETAIL



Rev. No.	Date	Description	Drn. By	Chkd. By	App. By
		This drawing is the property of FULLFLOW LIMITED and must not be used, loaned, reproduced or disclosed in whole or in part to third parties without the company's written permission.			
 Fullflow House, Holbrook Avenue, Holbrook Sheffield, S20 3FF Tel:- +44 (0) 1142 473655 Fax:- +44 (0) 1142 477805 Email:- design@fullflow.com			Scales:		
			NTS		
Title: DIMENSIONAL DETAIL OF CAR PARK 75mm OUTLET			Drn By:	DAP	
			Chkd By:		
			App. By:		
			Date:	AUGUST/2000	
			Drawing No:	SD018	Rev:
			Cad Ref:	SD018	0