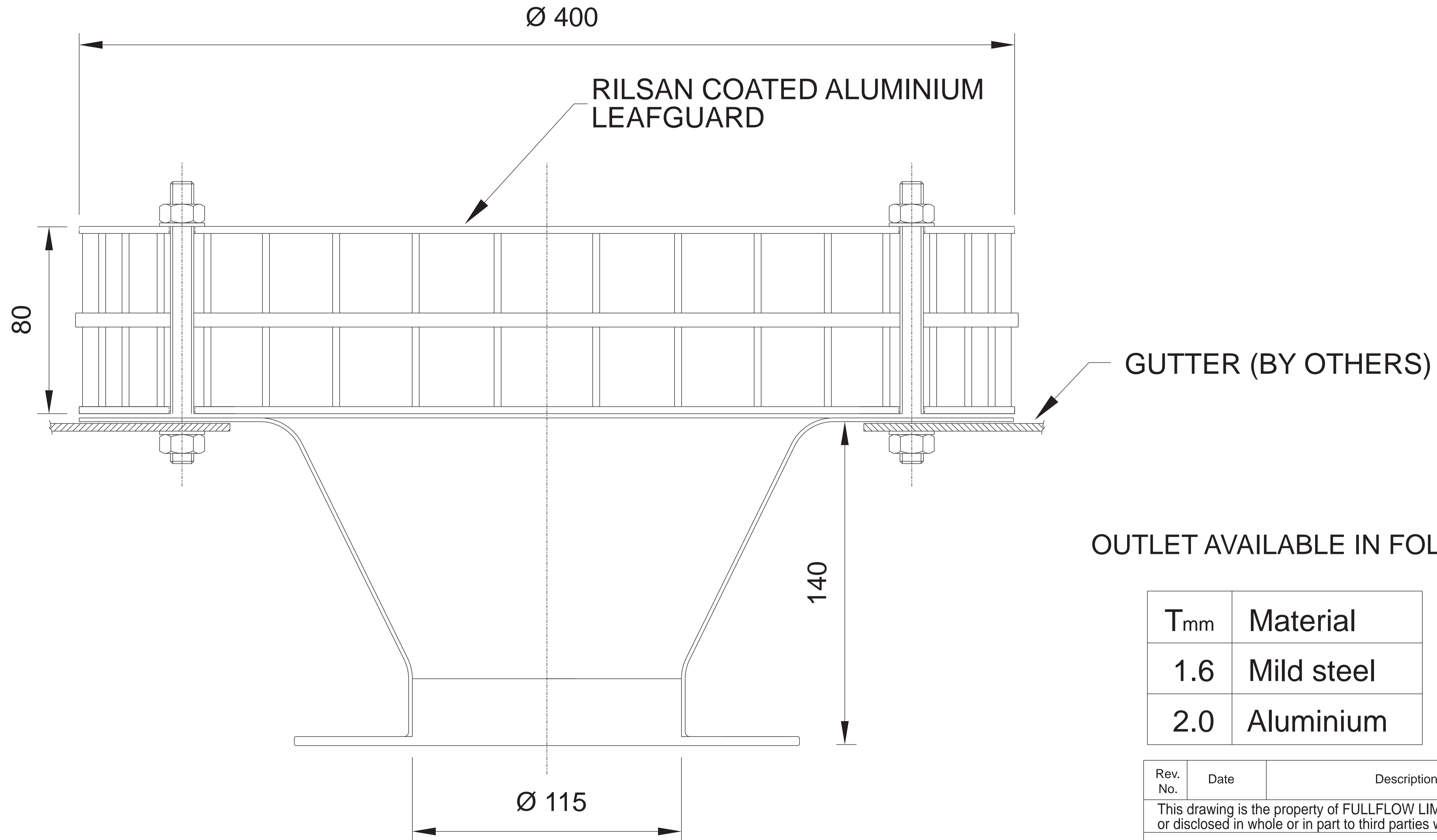


TYPE:- THOLOFLOW™ OUTLET FOR FLOWS IN EXCESS OF 75L/S


NOTES

- 1) DO NOT SCALE FROM THIS DRAWING
USE FIGURED DIMENSIONS ONLY.
- 2) DIMENSIONS SUBJECT TO
MANUFACTURING TOLERANCES.
- 3) THIS DRAWING IS COMPUTER
GENERATED COPIES ARE AVAILABLE
ON 3.5", CD ROM AND E- MAIL IN
AUTOCAD AND .DXF FORMAT.



OUTLET AVAILABLE IN FOLLOWING MATERIALS :-

T _{mm}	Material
1.6	Mild steel
2.0	Aluminium

Rev. No.	Date	Description	Drn. By	Chkd. By	App. By
This drawing is the property of FULLFLOW LIMITED and must not be used, loaned, reproduced or disclosed in whole or in part to third parties without the company's written permission.					
 Fullflow RAINWATER MANAGEMENT Fullflow House, Holbrook Avenue, Holbrook Sheffield, S20 3FF Tel:- +44 (0) 1142 473655 Fax:- +44 (0) 1142 477805 Email:- design@fullflow.com			Scales:		
			NTS		
			Drn By:	SE	
			Chkd By:	DB	
			App. By:	MB	
			Date:	October/2000	
Title:			Drawing No:	Rev:	
DIMENSIONAL DETAIL OF THOLOFLOW OUTLET			SD019	0	
			Cad Ref:	SD019	